

Hetai 合泰



CHANGZHOU HETAI ELECTRIC MOTORS&APPLIANCE CO., LTD.



World-leading Motor Supplier

Keep Creating Value for Customers

Improving the Life Quality for Staff

Keep Elevating Shareholder's Equity

COMPANY PROFILE

» ChangZhou Hetai (Stock code:834300) is a leading manufacturer with advanced technology and innovative management mode. Hetai specializes in producing servo motors, DC Motors, hybrid stepping motors, drivers and so on.

Hetai dedicates to professional electrical integration and automation strategies for customers. The products are almost applied in robots, packing machinery, textile machinery, medical instruments, printing machinery, intelligent logistics equipment... Hetai also sends its products to USA, Europe, Southeast Asia and all-around China.

Hetai is located in ChangZhou, JiangSu province and its workshop area is over 35,000. Since Hetai reformed in 1998, the specialization, scale of production has ensured to manufacture 3,000,000 motors every year.

» In the year 2003, Hetai was qualified by ISO9001/TS 16949 Certificate, and passed supervision successfully. The company also attained import and export right of external trade of self-management.

» In 2005, Hetai has qualified by EU Type Examination Certificate and get four Invention Patent, seven Utility Patent, and one Appearance Design Patent.

» Hetai was quoted on the stock market in 2015.

Hetai was authenticated by safety standardization management system in next year.

The company was qualified as high-tech enterprise in 2018.

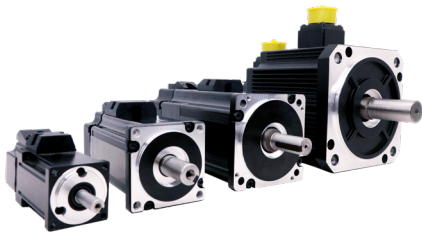


ISO9001



IATF16949

**General
Range**



Servo Motor



DC Brushless Motor



Planetary Gearbox



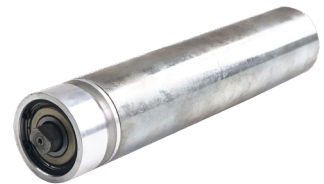
Stepping Motor



Gearbox Motor



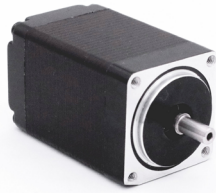
Driver



Electric roller Motor

28BYGH

HYBRID STEPPING MOTOR



General Specifications

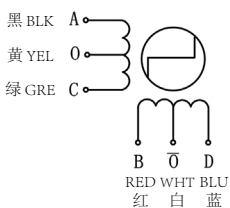
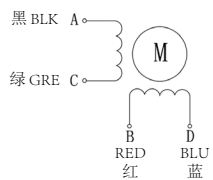
Step Accuracy	± 5%
Temperature Rise	80 °C Max
Insulation Resistance	100MΩ Min.500VC DC
Ambient Temperature	-20°C~+50°C
Dielectric Strength	500VAC 1 minute
Max Radial Force	28N (20mm from front flange)
Max Axial Force	10N

Technical Specifications

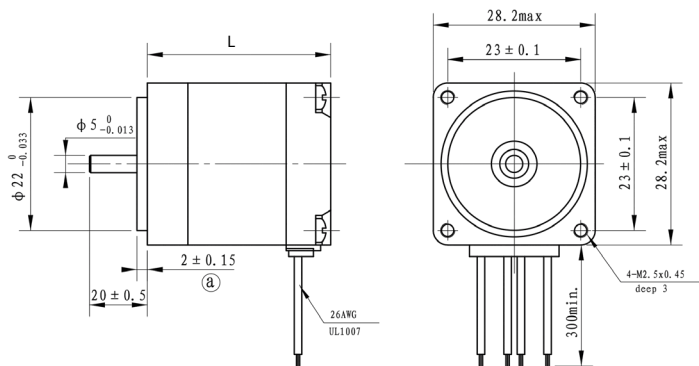
Model	Step Angle (°/Step)	Lead Wire (NO.)	Voltage (V)	Current (A/Phase)	Resistance (Ω/Phase)	Inductance (mH/Phase)	Holding Torque (g.cm)	Motor Height L (mm)	Motor Weight (Kg)
28BYGH102-01	1.8	4	3.90	0.67	6.3	3.2	600	32	0.11
28BYGH105-01		6	3.10	0.95	3.3	1.0	430	32	0.11
28BYGH301		4	4.56	0.67	6.8	4.9	950	45	0.17
28BYGH303		6	3.40	0.95	3.4	1.0	750	45	0.14
28BYGH501		4	8.04	0.67	12.0	7.2	1200	51	0.19
28BYGH502		6	3.80	0.95	4.0	1.3	900	51	0.20

* Products can be customized by special request.

Wiring Diagram

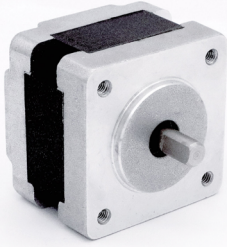


Mechanical Dimension



35BYGX

HYBRID STEPPING MOTOR



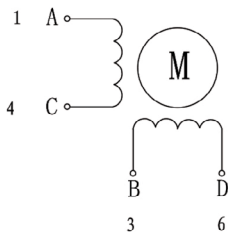
General Specifications

Step Accuracy	± 5%
Temperature Rise	80 °C Max
Insulation Resistance	100MΩ Min.500VC DC
Ambient Temperature	-20°C~+50°C
Dielectric Strength	500VAC 1 minute
Max Radial Force	28N (20mm from front flange)
Max Axial Force	10N

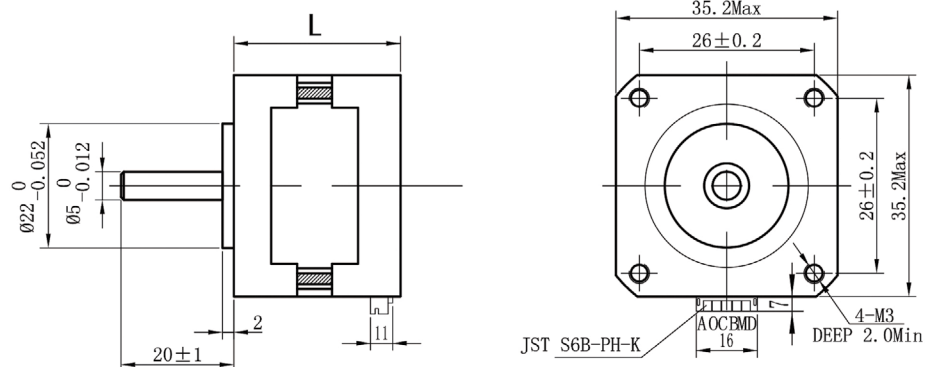
Technical Specifications

Model	Step Angle (°/Step)	Lead Wire (NO.)	Voltage (V)	Current (A/Phase)	Resistance (Ω/Phase)	Inductance (mH/Phase)	Holding Torque (g.cm)	Motor Height L (mm)	Motor Weight (Kg)
35BYGX001A	1.8	4	10.4	0.4	26	17	500	23	0.12
35BYGX200A			4.20	1	4.2	5.5	1250	29	0.12
35BYGX201A			1.45	0.5	2.9	2.6	500	29	0.13
35BYGX401A			3.20	1	3.2	3.8	1400	34	0.16

Wiring Diagram

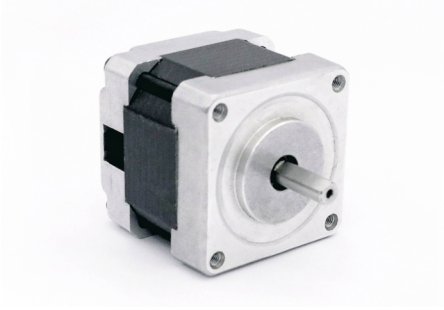


Mechanical Dimension



39BYGX

HYBRID STEPPING MOTOR



General Specifications

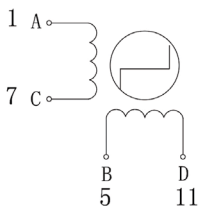
Step Accuracy	± 5%
Temperature Rise	80 °C Max
Insulation Resistance	100MΩ Min.500VC DC
Ambient Temperature	-20°C~+50°C
Dielectric Strength	500VAC 1 minute
Max Radial Force	28N (20mm from front flange)
Max Axial Force	10N

Technical Specifications

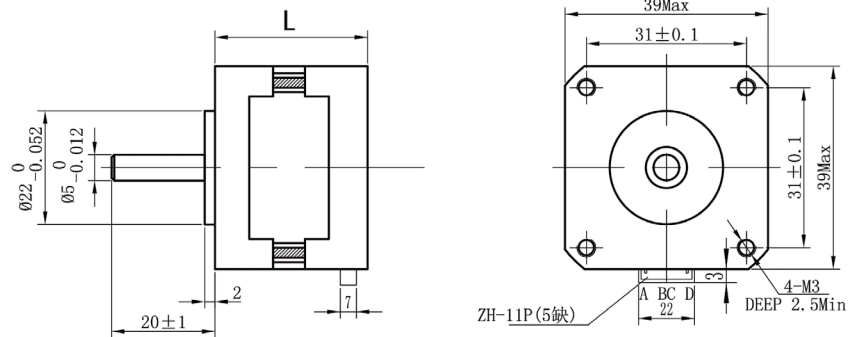
Model	Step Angle (°/Step)	Lead Wire (NO.)	Voltage (V)	Current (A/Phase)	Resistance (Ω/Phase)	Inductance (mH/Phase)	Holding Torque (g.cm)	Motor Height L (mm)	Motor Weight (Kg)
39BYGX001A	1.8	4	13.44	0.48	28	21	1000	20	0.10
39BYGX002A			8.4	0.7	12	11	1200	20	0.10
39BYGX100A			12	0.4	30	20	1300	22	0.12
39BYGX200A			14.4	0.4	36	33	1700	25	0.14

* Products can be customized by special request.

Wiring Diagram



Mechanical Dimension





General Specifications

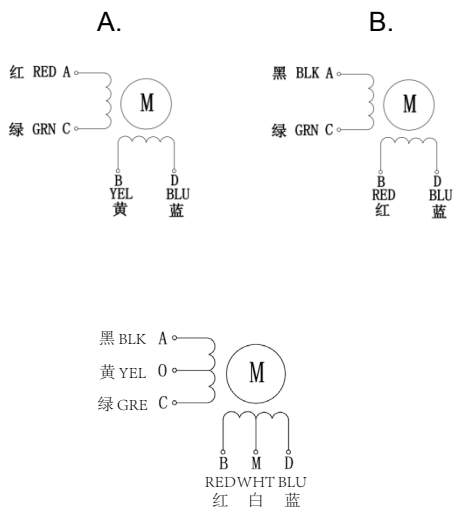
Step Accuracy	± 5%
Temperature Rise	80 °C Max
Insulation Resistance	100MΩ Min.500VC DC
Ambient Temperature	-20°C~+50°C
Dielectric Strength	500VAC 1 minute
Max Radial Force	28N (20mm from front flange)
Max Axial Force	10N

Technical Specifications

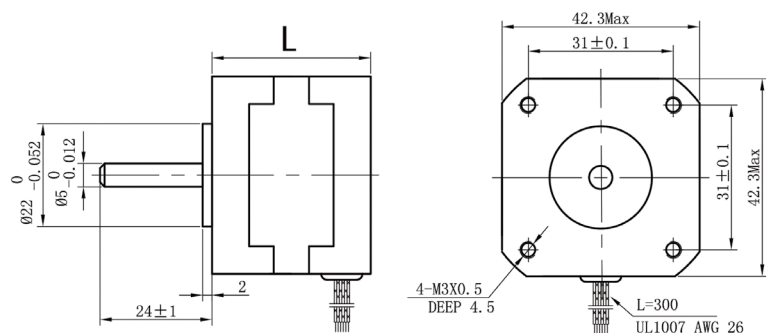
Model	Step Angle (°/Step)	Lead Wire (NO.)	Voltage (V)	Current (A/Phase)	Resistance (Ω/Phase)	Inductance (mH/Phase)	Holding Torque (g.cm)	Motor Height L (mm)	Motor Weight (Kg)
42BYGH208-52A	1.8	4	12	0.4	30	42	2500	34	0.20
42BYGH243-03		4	2.6	1	2.6	3.2	1800	34	0.20
42BYGH622-28A		4	4.8	1	4.8	6.0	2900	40	0.24
42BYGH613-68A		4	2.5	1.7	1.5	2.5	3500	40	0.24
42BYGH705-07		4	12	0.3	40	80	4000	44	0.30
42BYGH721A		6	10	0.25	40	36	2000	44	0.30
42BYGH801-36		6	12	0.4	30	22	3800	48	0.34
42BYGH872A		4	2.8	1.7	1.65	2.8	4500	48	0.34
42BYGH910-02		4	5.1	1.5	3.4	8.0	8500	60	0.49
42BYGH905-13		4	3.15	1.5	2.1	5.0	6800	60	0.49

* Products can be customized by special request.

Wiring Diagram



Mechanical Dimension





General Specifications

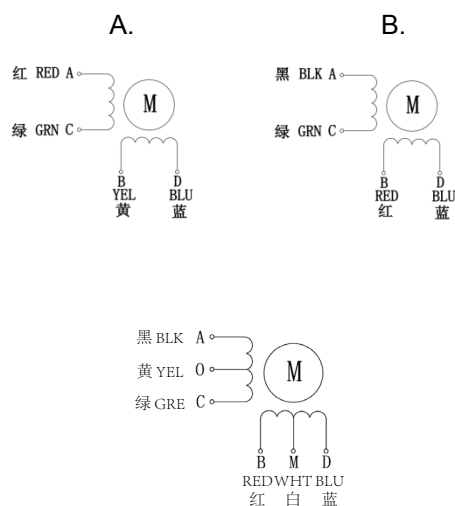
Step Accuracy	± 5%
Temperature Rise	80 °C Max
Insulation Resistance	100MΩ Min.500VC DC
Ambient Temperature	-20°C~+50°C
Dielectric Strength	500VAC 1 minute
Max Radial Force	28N (20mm from front flange)
Max Axial Force	10N

Technical Specifications

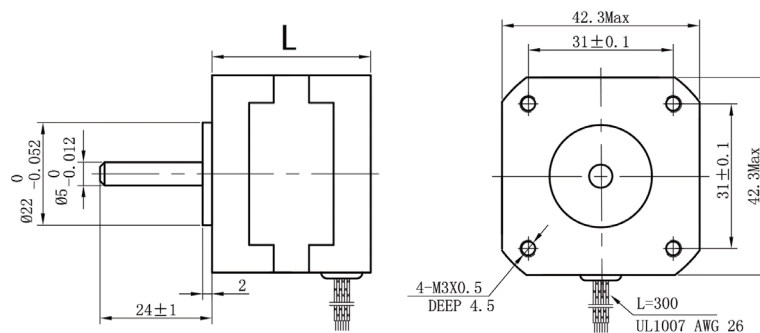
Model	Step Angle (°/Step)	Lead Wire (NO.)	Voltage (V)	Current (A/Phase)	Resistance (Ω/Phase)	Inductance (mH/Phase)	Holding Torque (g.cm)	Motor Height L (mm)	Motor Weight (Kg)
42BYGHM203	0.9	4	10	0.5	20	40	2100	34	0.20
42BYGHM213-07A			8	1	8.0	13	2200	34	0.20
42BYGHM607-16			2.6	1.7	1.5	3.2	3200	40	0.24
42BYGHM619-08			11.2	0.4	28	60	2800	40	0.24
42BYGHM805			3.5	1	3.5	7.6	3700	48	0.34
42BYGHM810			2.4	2.4	1.0	1.8	4800	48	0.34

* Products can be customized by special request.

Wiring Diagram

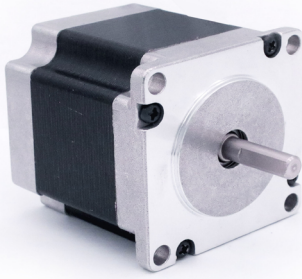


Mechanical Dimension



57BYGH

HYBRID STEPPING MOTOR



General Specifications

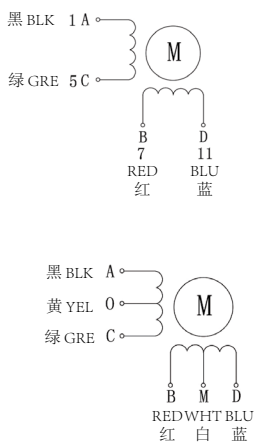
Step Accuracy	± 5%
Temperature Rise	80 °C Max
Insulation Resistance	100MΩ Min.500VC DC
Ambient Temperature	-20°C~+50°C
Dielectric Strength	500VAC 1 minute
Max Radial Force	75N (20mm from front flange)
Max Axial Force	15N

Technical Specifications

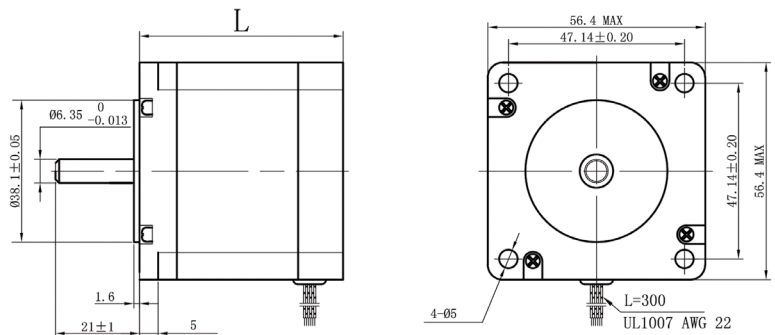
Model	Step Angle (°/Step)	Lead Wire (NO.)	Voltage (V)	Current (A/Phase)	Resistance (Ω/Phase)	Inductance (mH/Phase)	Holding Torque (Kg.cm)	Motor Height L (mm)	Motor Weight (Kg)
57BYGH001A	1.8	4	6.0	0.5	12	20	3.5	41	0.45
57BYGH048-11		4	4.4	2.0	2.2	5.0	6.0	41	0.45
57BYGH201-22A		4	6.6	0.6	11	25	7.0	51	0.65
57BYGH218-45		4	2.6	2.0	1.3	4	8.0	51	0.65
57BYGH420-77		6	3.8	2.0	1.9	3.5	9.0	56	0.70
57BYGH432-63A		6	2.4	3.0	0.8	1.2	9.0	56	0.70
57BYGH633-131		6	3.0	3.0	1.0	1.8	13.5	78	1.00
57BYGH639-10E		4	2.1	4.2	0.5	1.6	18	78	1.00
57BYGH801-01		6	3.3	3.0	1.1	2.5	16	84	1.13
57BYGH815		4	7.36	1.6	4.6	16	20	84	1.13

* Products can be customized by special request.

Wiring Diagram

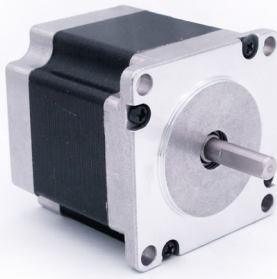


Mechanical Dimension



57BYGHM

HYBRID STEPPING MOTOR



General Specifications

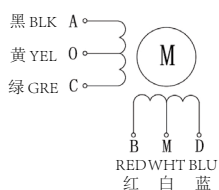
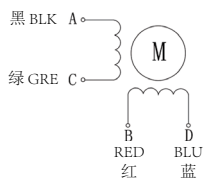
Step Accuracy	± 5%
Temperature Rise	80 °C Max
Insulation Resistance	100MΩ Min.500VC DC
Ambient Temperature	-20°C~+50°C
Dielectric Strength	500VAC 1 minute
Max Radial Force	75N (20mm from front flange)
Max Axial Force	15N

Technical Specifications

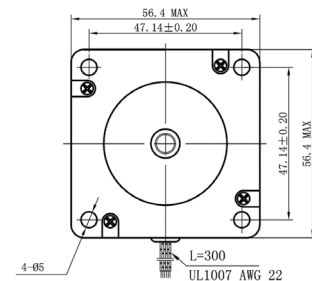
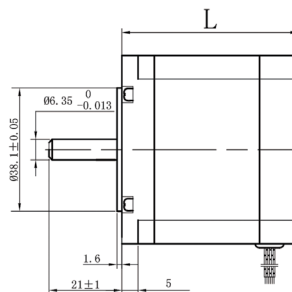
Model	Step Angle (°/Step)	Lead Wire (NO.)	Voltage (V)	Current (A/Phase)	Resistance (Ω/Phase)	Inductance (mH/Phase)	Holding Torque (Kg.cm)	Motor Height L (mm)	Motor Weight (Kg)
57BYGHM002-01	0.9	6	2.8	2.0	1.4	2.0	3.5	41	0.45
57BYGHM200-03A		4	3.4	1.0	3.4	12	7.0	51	0.56
57BYGHM203-04		6	12	0.38	32.0	38	5.5	51	0.56
57BYGHM401-09		6	7.4	1.0	7.4	17	9.0	56	0.70
57BYGHM414		4	1.7	4.2	0.4	1.0	11	56	0.70
57BYGHM604-17		4	3.2	2.8	1.13	6.4	15	78	1.00
57BYGHM601-05		6	8.6	1.0	8.6	20	13	78	1.00

* Products can be customized by special request.

Wiring Diagram



Mechanical Dimension



57BYGH350

HYBRID STEPPING MOTOR



General Specifications

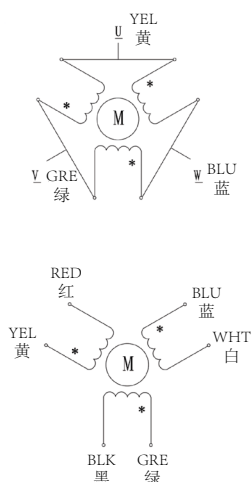
Step Accuracy	± 5%
Temperature Rise	80 °C Max
Insulation Resistance	100MΩ Min.500VC DC
Ambient Temperature	-20°C~+50°C
Dielectric Strength	500VAC 1 minute
Max Radial Force	75N (20mm from front flange)
Max Axial Force	15N

Technical Specifications

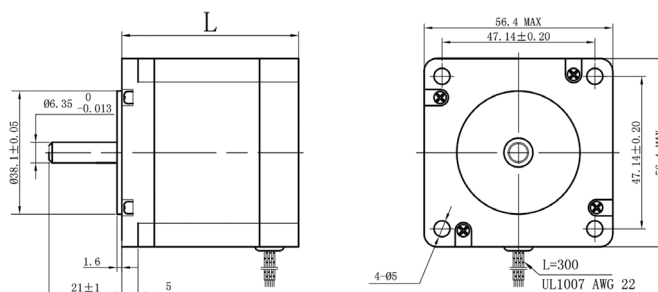
Model	Step Angle (°/Step)	Lead Wire (NO.)	Voltage (V)	Current (A/Phase)	Resistance (Ω/Phase)	Inductance (mH/Phase)	Holding Torque (Kg.cm)	Motor Height L (mm)	Motor Weight (Kg)
57BYGH350A-001	1.2	6	3.12	2.4	3.4	4.0	4.0	41	0.45
57BYGH350A-002		3	5.0	0.5	10	16	2.0	41	0.45
57BYGH350B-001		3	2.52	5.6	0.45	1.1	9.0	56	0.69
57BYGH350B-002		6	5.28	2.4	2.2	2.0	7.0	56	0.75
57BYGH350C-001-09		3	2.6	5.2	0.5	1.4	12	76	1.05
57BYGH350C-005-01		3	9.0	1.0	9.0	21	9	76	1.10

* Products can be customized by special request.

Wiring Diagram

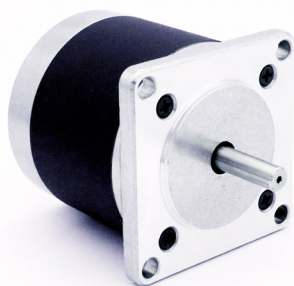


Mechanical Dimension



57BYGN

HYBRID STEPPING MOTOR



General Specifications

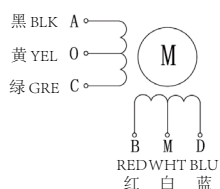
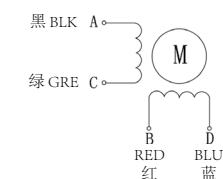
Step Accuracy	± 5%
Temperature Rise	80 °C Max
Insulation Resistance	100MΩ Min.500VC DC
Ambient Temperature	-20°C~+50°C
Dielectric Strength	500VAC 1 minute
Max Radial Force	75N (20mm from front flange)
Max Axial Force	15N

Technical Specifications

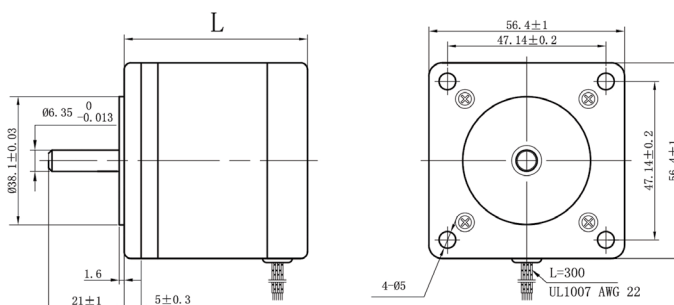
Model	Step Angle (°/Step)	Lead Wire (NO.)	Voltage (V)	Current (A/Phase)	Resistance (Ω/Phase)	Inductance (mH/Phase)	Holding Torque (Kg.cm)	Motor Height L (mm)	Motor Weight (Kg)
57BYGN001	1.8	6	12	0.38	32	25	3.0	41	0.45
57BYGN027		4	2.8	1.4	2.1	3.5	3.9	41	0.45
57BYGN200-19A		6	5	1.0	5.0	11.5	5.8	51	0.65
57BYGN204		6	11.2	0.4	28	30	3.8	51	0.65
57BYGN400-11A		4	5.5	1.1	5.0	12	7.8	56	0.70
57BYGN412		4	4.4	2.0	2.2	6.3	9.0	56	0.70

* Products can be customized by special request.

Wiring Diagram

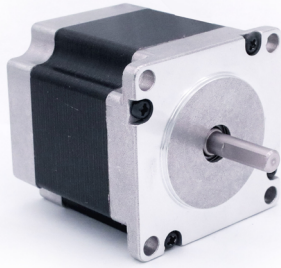


Mechanical Dimension



57HN

HYBRID STEPPING MOTOR



General Specifications

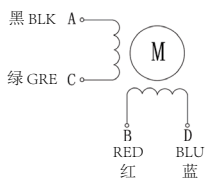
Step Accuracy	± 5%
Temperature Rise	80 °C Max
Insulation Resistance	100MΩ Min.500VC DC
Ambient Temperature	-20°C~+50°C
Dielectric Strength	500VAC 1 minute
Max Radial Force	75N (20mm from front flange)
Max Axial Force	15N

Technical Specifications

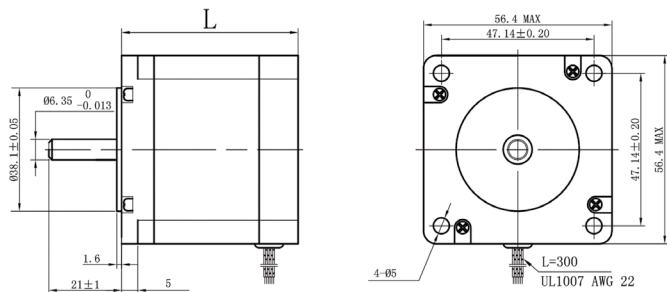
Model	Step Angle (°/Step)	Lead Wire (NO.)	Voltage (V)	Current (A/Phase)	Resistance (Ω/Phase)	Inductance (mH/Phase)	Holding Torque (Kg.cm)	Motor Height L (mm)	Motor Weight (Kg)
57HN41-001-01	1.8	4	2.1	4.2	0.5	1.4	9.5	41	0.43
57HN41-003-04			7.0	1.0	7.0	14.7	9.0	41	0.43
57HN46-005A			2.3	4.2	0.55	1.5	10.6	46	0.54
57HN46-003A			8.2	1.0	8.2	18	10.5	46	0.54
57HN51-003A			1.5	3.0	0.5	1.4	9.5	51	0.63
57HN51-005			4.0	2.0	2.0	6.5	12	51	0.63
57HN56-002			9.0	2.5	3.6	11	15	56	0.68
57HN56-005-02			6.8	1.0	6.8	24	12	56	0.68
57HN67-001-15			5.76	1.6	3.6	12	19	67	0.70
57HN67-004-07			1.5	3.0	0.5	1.8	14	67	0.70

* Products can be customized by special request.

Wiring Diagram

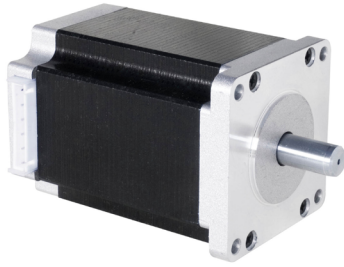


Mechanical Dimension



60BYGH

HYBRID STEPPING MOTOR



General Specifications

Step Accuracy	± 5%
Temperature Rise	80 °C Max
Insulation Resistance	100MΩ Min.500VC DC
Ambient Temperature	-20°C~+50°C
Dielectric Strength	500VAC 1 minute
Max Radial Force	75N (20mm from front flange)
Max Axial Force	15N

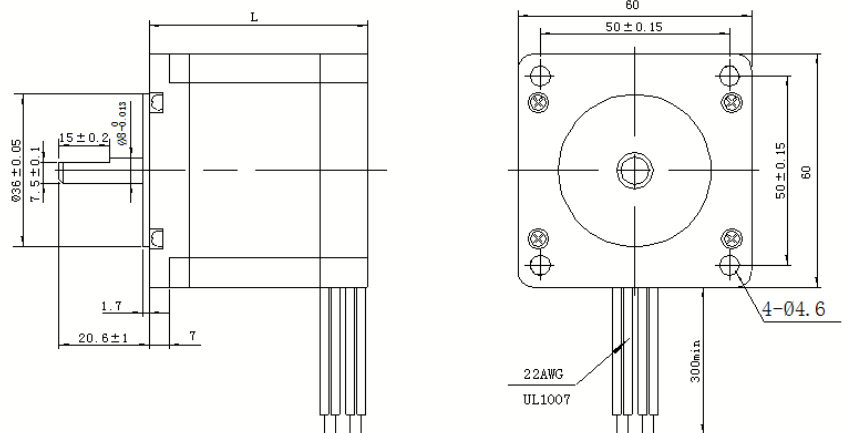
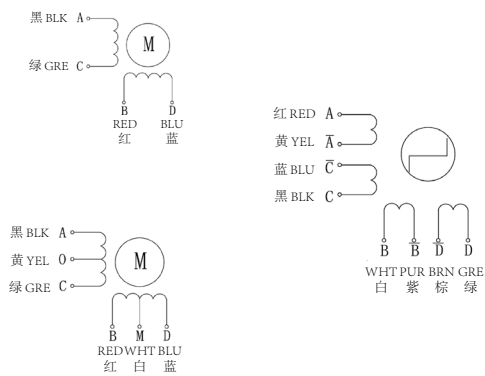
Technical Specifications

Model	Step Angle (°/Step)	Lead Wire (NO.)	Voltage (V)	Current (A/Phase)	Resistance (Ω/Phase)	Inductance (mH/Phase)	Holding Torque (Kg.cm)	Motor Height L (mm)	Motor Weight (Kg)
60BYGH402-13A	1.8	6	2.4	3.0	0.8	1.6	10	56	0.77
60BYGH410-05A		4	6.0	1.0	6.0	16	12.5	56	0.77
60BYGH502-03A		4	5.32	1.4	3.8	10	12.5	64	1.00
60BYGH500		6	3.6	1.5	8.4	8.0	12.5	64	1.00
60BYGH805-56		4	2.8	4.0	0.8	3.5	23.5	87	1.34
60BYGH808A		4	4.5	3.0	1.5	5.0	26	87	1.34

* Products can be customized by special request.

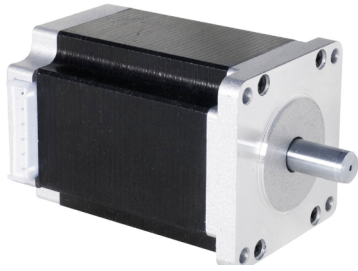
Wiring Diagram

Mechanical Dimension



60HS

HYBRID STEPPING MOTOR



General Specifications

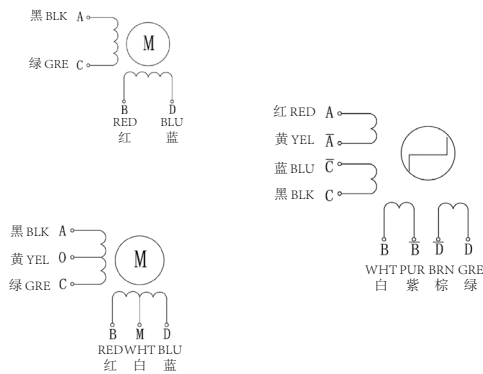
Step Accuracy	± 5%
Temperature Rise	80 °C Max
Insulation Resistance	100MΩ Min.500VC DC
Ambient Temperature	-20°C~+50°C
Dielectric Strength	500VAC 1 minute
Max Radial Force	75N (20mm from front flange)
Max Axial Force	15N

Technical Specifications

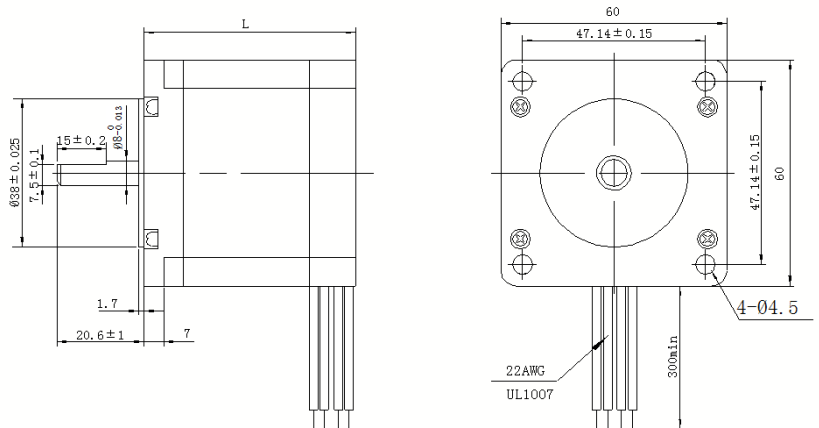
Model	Step Angle (°/Step)	Lead Wire (NO.)	Voltage (V)	Current (A/Phase)	Resistance (Ω/Phase)	Inductance (mH/Phase)	Holding Torque (Kg.cm)	Motor Height L (mm)	Motor Weight (Kg)
60HS63-1506-01	1.8	6	14.7	1.5	9.8	10.6	14	63	1.0
60HS67-1804-003A		4	4.68	1.8	2.6	7.8	16	67	1.1
60HS67-2204-001		4	3.96	2.2	1.8	5.0	16	67	1.1
60HS87-3504-001		4	4.0	3.5	1.15	4.5	27	87	1.4
60HS87-3008-003		8	3.9	3.0	1.3	3.2	21	87	1.4
60HS101-3008-001		8	6.0	3.0	2.0	4.0	25	101	1.6
60HS101-4204-002		4	4.2	4.2	1.0	4.0	33	101	1.6

* Products can be customized by special request.

Wiring Diagram

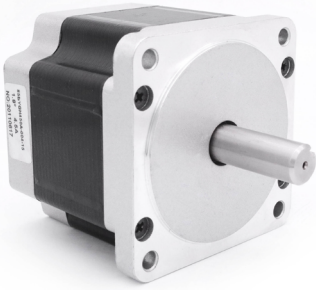


Mechanical Dimension



85BYGH350

HYBRID STEPPING MOTOR



General Specifications

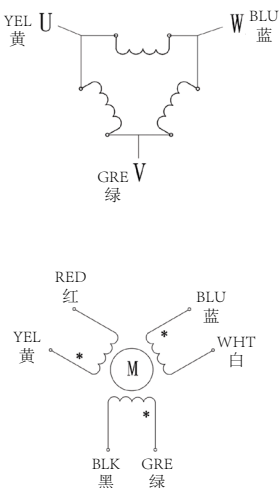
Step Accuracy	± 5%
Temperature Rise	80 °C Max
Insulation Resistance	100MΩ Min.500VC DC
Ambient Temperature	-20°C~+50°C
Dielectric Strength	500VAC 1 minute
Max Radial Force	220N (20mm from front flange)
Max Axial Force	60N

Technical Specifications

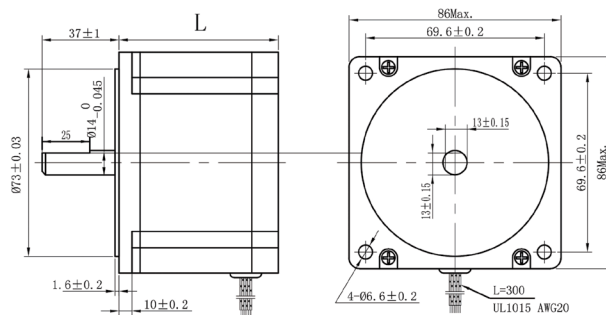
Model	Step Angle (°/Step)	Lead Wire (NO.)	Voltage	Current	Resistance	Inductance	Holding Torque	Motor Height	Motor Weight
			(V)	(A/Phase)	(Ω/Phase)	(mH/Phase)	(N.m)	L (mm)	(Kg)
85BYGH350A-001	1.2	3	3.1	3.1	1.0	4.1	2.0	68	1.7
85BYGH350A-002			7.4	1.75	4.25	12.3	2.3	68	1.7
85BYGH350B-001-17			3.1	5.8	0.5	2.5	3.2	97	2.9
85BYGH350B-002-02			10.8	2.0	5.4	23.0	4.5	97	2.9
85BYGH350C-001-02			3.7	7.0	0.53	2.5	5.6	127	4.0
85BYGH350C-003			21.0	3.5	6.0	25.0	6.8	127	4.0

* Products can be customized by special request.

Wiring Diagram

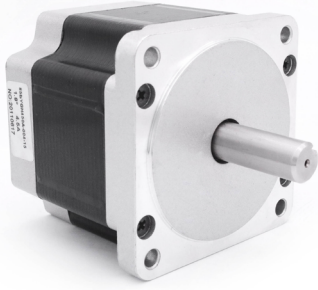


Mechanical Dimension



85HS

HYBRID STEPPING MOTOR



General Specifications

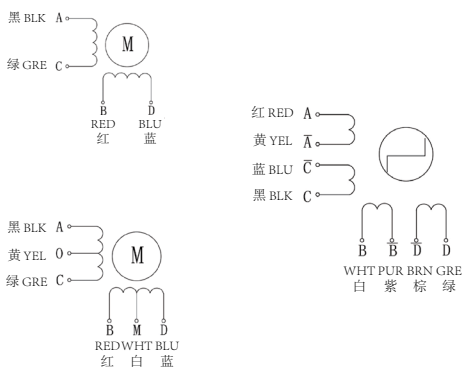
Step Accuracy	± 5%
Temperature Rise	80 °C Max
Insulation Resistance	100MΩ Min.500VC DC
Ambient Temperature	-20°C~+50°C
Dielectric Strength	500VAC 1 minute
Max Radial Force	220N (20mm from front flange)
Max Axial Force	60N

Technical Specifications

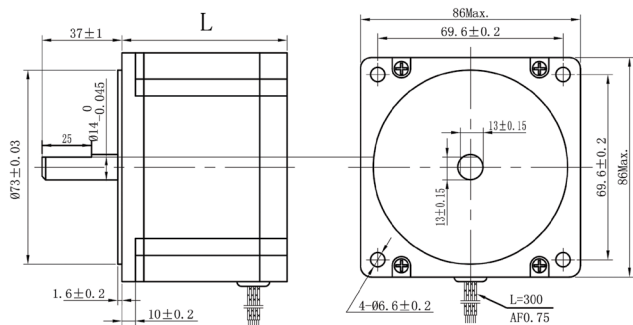
Model	Step Angle (°/Step)	Lead Wire (NO.)	Voltage (V)	Current (A/Phase)	Resistance (Ω/Phase)	Inductance (mH/Phase)	Holding Torque (N.m)	Motor Height L (mm)	Motor Weight (Kg)
85HS68-1404-001	1.8	4	5.6	1.4	4.0	24.0	2.8	68	1.8
85HS68-4004-001		4	2.4	4.0	0.6	2.8	2.8	68	1.8
85HS80-4208-001-02		8	4.6	2.97	1.55	6.76	3.2	80	2.3
85HS80-5504-001-06		4	1.6	4.0	0.4	3.5	3.0	80	2.3
85HS97-3008-001		8	1.8	3.0	1.6	8.0	5.0	97	2.8
85HS97-4006-001		6	3.4	4.0	1.0	5.0	4.4	97	2.8
85HS116-4208-001		8	5.0	4.2	1.2	6.5	6.0	116	3.6
85HS116-5004-001		4	5.0	5.0	0.9	11.0	8.5	116	3.6
85HS126-4008-001		8	6.0	4.0	1.5	8.0	6.8	126	3.8
85HS126-6408-001		8	1.53	6.4	0.536	2.86	6.2	126	3.8
85HS131-3004-001		4	5.1	3.0	1.7	18.0	9.0	131	4.2
85HS131-7004-001		4	2.8	7.0	0.4	4.0	9.0	131	4.2
85HS155-5004-001		4	4.0	5.0	0.8	10.0	11.0	155	5.0
85HS155-6504-001		4	3.9	6.5	0.6	7.0	10.0	155	5.0

* Products can be customized by special request.

Wiring Diagram

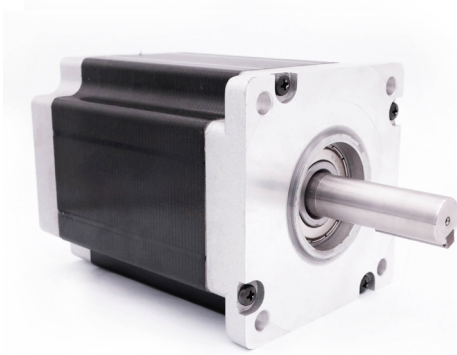


Mechanical Dimension



110BYGH

HYBRID STEPPING MOTOR



General Specifications

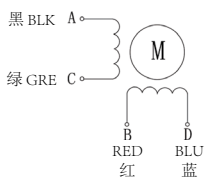
Step Accuracy	± 5%
Temperature Rise	80 °C Max
Insulation Resistance	100MΩ Min.500VC DC
Ambient Temperature	-20°C~+50°C
Dielectric Strength	500VAC 1 minute
Max Radial Force	330N (20mm from front flange)
Max Axial Force	100N

Technical Specifications

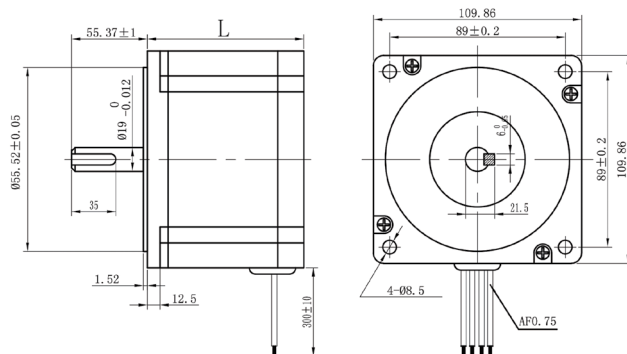
Model	Step Angle (°/Step)	Lead Wire (NO.)	Voltage (V)	Current (A/Phase)	Resistance (Ω/Phase)	Inductance (mH/Phase)	Holding Torque (N.m)	Motor Height L (mm)	Motor Weight (Kg)
110BYGH80-001AG	1.8	4	9.0	6.0	1.5	14.0	8.5	80	5.0
110BYGH99-001-10			4.95	5.5	0.9	12.0	11.2	99	5.0
110BYGH150-001			5.44	6.8	0.8	12.0	21	150	8.4
110BYGH165-001-03			4.80	6.0	0.8	14.0	24	165	9.5
110BYGH201-001			5.36	8.0	0.76	16.0	30	201	12.0

* Products can be customized by special request.

Wiring Diagram

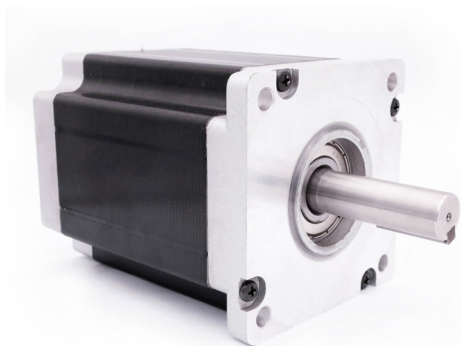


Mechanical Dimension



110BYGH350

HYBRID STEPPING MOTOR



General Specifications

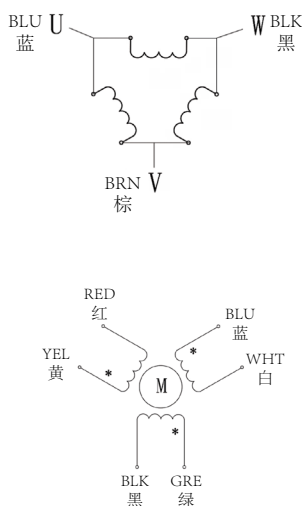
Step Accuracy	± 5%
Temperature Rise	80 °C Max
Insulation Resistance	100MΩ Min.500VC DC
Ambient Temperature	-20°C~+50°C
Dielectric Strength	500VAC 1 minute
Max Radial Force	330N (20mm from front flange)
Max Axial Force	100N

Technical Specifications

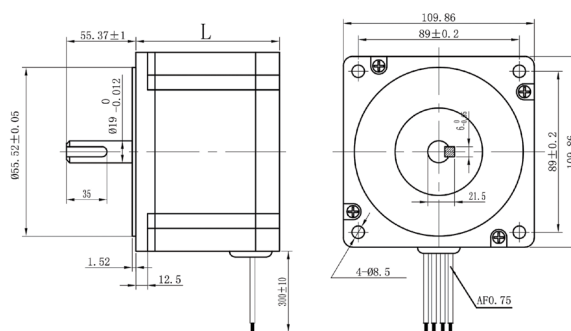
Model	Step Angle (°/Step)	Lead Wire (NO.)	Voltage (V)	Current (A/Phase)	Resistance (Ω/Phase)	Inductance (mH/Phase)	Holding Torque (N.m)	Motor Height L (mm)	Motor Weight (Kg)
110BYGH350A-001	1.2	3	6.0	4.3	1.4	9.2	10	120	6.5
110BYGH350B-001			10.2	6.0	1.7	12.0	15	148	7.4
110BYGH350C-001			13.4	6.4	2.1	14.8	19	182	9.8
110BYGH350D-001			20.0	6.9	2.9	22.0	20	216	11.7

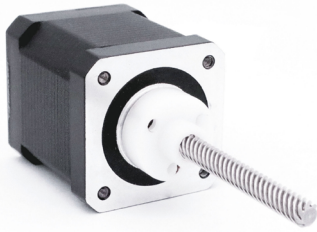
* Products can be customized by special request.

Wiring Diagram



Mechanical Dimension





General Specifications

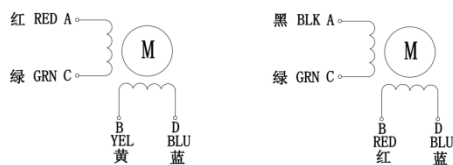
Step Accuracy	± 5%
Temperature Rise	80 °C Max
Insulation Resistance	100MΩ Min.500VC DC
Ambient Temperature	-20°C~+50°C
Dielectric Strength	500VAC 1 minute
Max Radial Force	28N (20mm from front flange)
Max Axial Force	10N

Technical Specifications

Model	Step Angle (°/Step)	Lead Wire (NO.)	Voltage (V)	Current (A/Phase)	Resistance (Ω/Phase)	Inductance (mH/Phase)	Holding Torque (Kg.cm)	Motor Height L (mm)	Motor Weight (Kg)
42BYGHL208-12A	1.8	4	12.0	0.4	30.0	42.0	2.6	34	0.20
42BYGHL613-03A			2.3	1.7	1.35	3.0	3.5	40	0.26
42BYGHL810-09			3.8	1.2	3.2	6.0	4.5	48	0.36

* Products can be customized by special request.

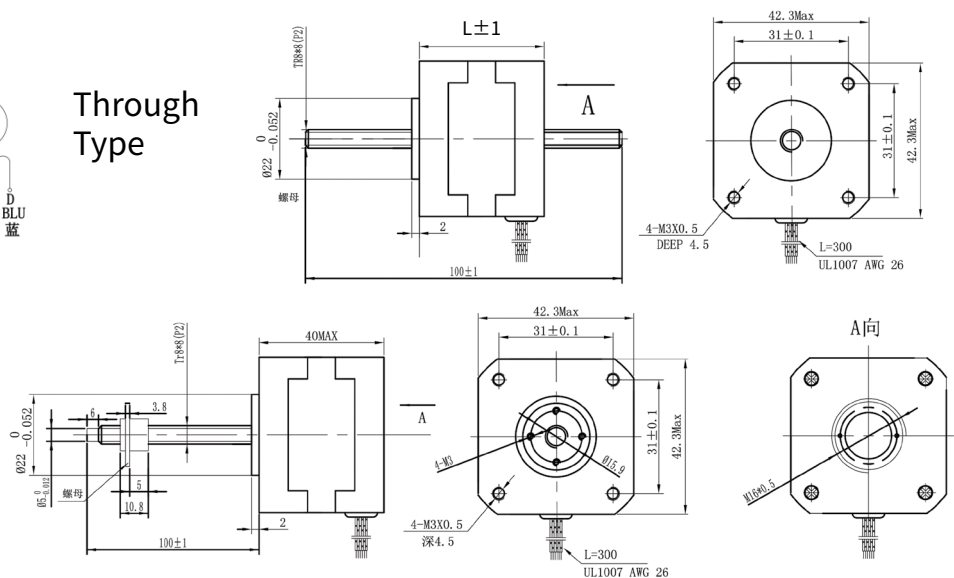
Wiring Diagram



Through Type

External Driver Type

Mechanical Dimension



57BYGHL

HYBRID STEPPING MOTOR



General Specifications

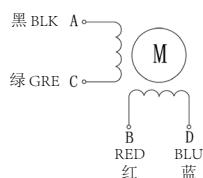
Step Accuracy	± 5%
Temperature Rise	80 °C Max
Insulation Resistance	100MΩ Min.500VC DC
Ambient Temperature	-20°C~+50°C
Dielectric Strength	500VAC 1 minute
Max Radial Force	75N (20mm from front flange)
Max Axial Force	15N

Technical Specifications

Model	Step Angle (°/Step)	Lead Wire (NO.)	Voltage (V)	Current (A/Phase)	Resistance (Ω/Phase)	Inductance (mH/Phase)	Holding Torque (Kg.cm)	Motor Height L (mm)	Motor Weight (Kg)
57BYGHL013-15	1.8	4	2.7	1.5	1.8	4.0	4.0	41	0.45
57BYGHL216-10			3.3	1.7	1.95	6.0	10.0	51	0.65
57BYGHL401-03			6.0	0.6	10.0	32.0	9.0	56	0.70
57BYGHL602-07			10.4	0.8	13.0	42.0	19.8	78	1.00
57BYGHL815-001			7.36	1.6	4.6	16.0	20.0	84	1.13

* Products can be customized by special request.

Wiring Diagram



External Driver Type

Mechanical Dimension

